

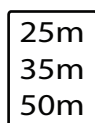
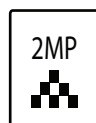
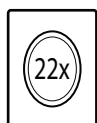
V-RECON SERIES

VPIP-THERMAL-2522/3522/5022



VEILUX
The Art of Surveillance

Temperature-Detecting 2MP Thermal IP PTZ With 22X Zoom



Lenses

Key Features

- Uncooled IRFPA Microbolometer
- Temperature detection
- Resolution 420 x 315
- Optical Resolution 1080P/30fps
- 25/35/50 mm lens optional
- Optical Zoom 22X
- Infrared detection wavelength 8-14 um
- Color mode: Black - Heat/White - Heat/Rainbow/Iron - Red

Specifications	2522	3522	5022
Detector Type	Long-Life, Uncooled IRFPA Microbolometer		
Array Format	420 x 315		
Pixel Pitch	25µm		
Sensitivity	50mK		
Spectral Range	8 to 14µm		
Temperature Detection	Yes		
Optical Zoom	22X		
Focus	Manual		
Thermal Lens Options	25mm	35mm	50mm
FOV	23.7° x 17.9°	17° x 12.8°	11.9° x 9°
Detect Distance (Vehicle)	1,000m	1,500m	2,000m
Detect Distance (Human 1.8m)	500m	800m	1,100m
Recognize Distance ((Vehicle)	600m	850m	1,200m
Recognize Distance (human 1.8)	300m	450m	650m
Temperature Detect Distance (Vehicle)	350m	500m	650m
Temperature Detect Distance (Human)	180m	250m	320m
IMAGE			
Video Compression	H.264 High/Main/Baseline Profile, MJPEG		
Bite Rate (CBR/VBR)	50kb-4000kb, 500kb-12Mb		
Audio Compression	G.711, RAW_PCM		
Thermal Resolution	D1/30fps		
Optical Resolution	1080P/30fps		
Stream	D1, CIF; 1080P		
Image Color Mode	Black-Heat/White-Heat/Rainbow/Iron-Red		
DVE Image Enhance	Level 0 -6		
3D Noise Reduction	Yes		
Image Correction	Auto/Manual/External		
Image Overturn	Horizontal/Vertical/Horizontal+Vertical		

V-RECON SERIES

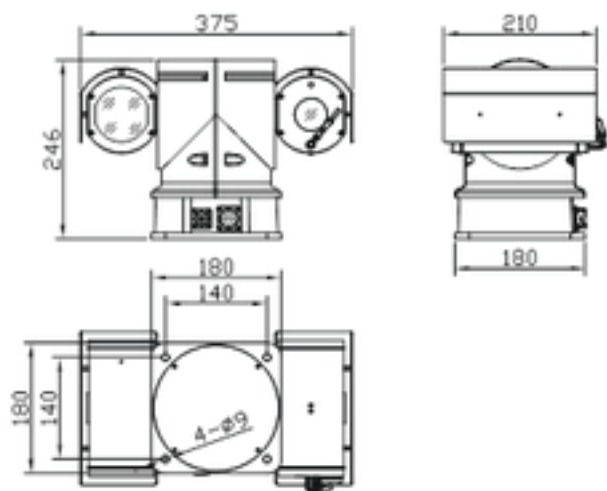
VPIP-THERMAL-2522/3522/5022



VEILUX[®]
The Art of Surveillance

Temperature-Detecting 2MP Thermal IP PTZ With 22X Zoom

Dimension



NETWORK	
Network Protocols	IPv4/v6, RTSP/RTP/RTCP, TCP/UDP, HTTP, DHCP, DNS, FTP, DDNS, PPP, OE, SMTP, SIP
Alarm Trigger	Temperature Alarm, Motion Detection, Network Disconnect, Disk Alarm, I/O Alarm
RRSP Video	Standard RFC2326, Support Quick Time / VLC Player.
Security	User Security Authentication, Reset, Hardware Watchdog
Web Language	English, Chinese
System Compatibility	ONVIF
INTERFACE	
Ethernet	1 Ethernet (10/100 Base) RJ-45 Connector
Audio I/O	1 ch Audio in, 1 ch Audio out
Alarm I/O	1 ch Alarm in, 1 ch Alarm out
RS485	Yes
BNC Output	Yes
Reset Button	Yes
Edge Storage	Micro SD/SDHC slot, Max 32GB
GENERAL	
Power Supply	DC9-DC36V, AC24V optional
Power consumption	50W max.
Operating Temperature	-20°C ~ +55°C (-4°F ~ +131°F)
Operating Humidity	0% - 90% RH
Ingress Protection	IP66
Approvals	CE / FCC
Product Dimensions	210 X 246 X 375mm (8.26 x 9.68 x 14.76 in.)
Product Weight	10 Kg (22 lbs)