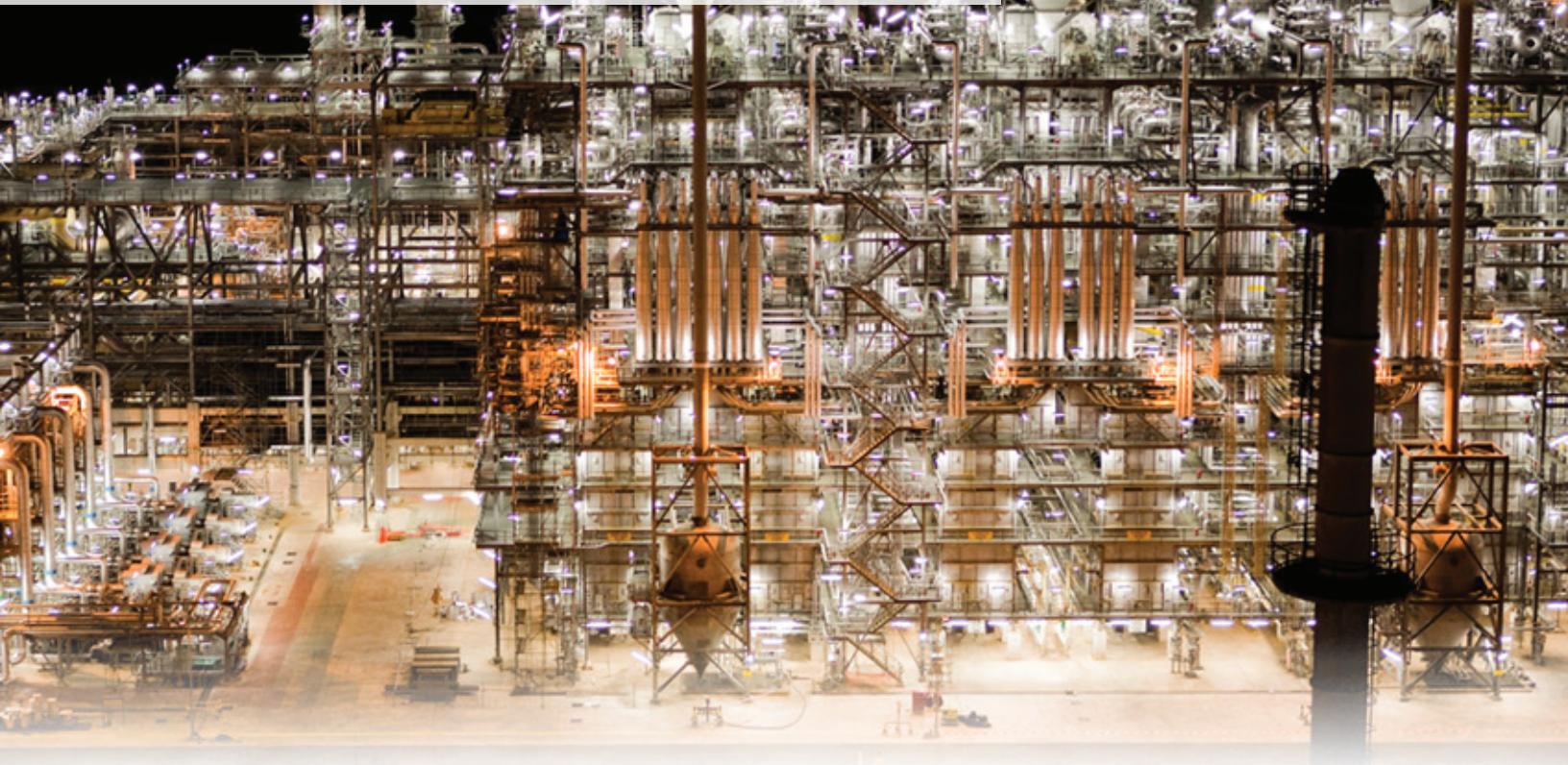


VEILUX[®]
The Art of Surveillance

V-ARMOR SERIES



SVEX-1301

Explosion Proof PTZ Camera

The SVEX-1301 is a new explosion proof monitoring equipment, design with the latest advanced technique that makes it a viral product for explosive, flammable, and extreme environmental conditions.

The SVEX-1301 is design with an integrated structure, this allows the cable to run from the camera through the stainless steel body to an opening output tube at the base.

The SVEX-1301 interior integration of the cable allows the PTZ to pan and tilt both horizontally and vertically with little to none exterior interruption. With the conceal cable within the stainless steel case, the SVEX-1301 can perform 360° continuous pan rotation and -90° ~ +90° tilt angle.



Key Features

- Double Certifications
- 304 or 316L stainless steel material
- Stand Installation
- Housing, Pan/Tilt, Decoder Integrated
- 360° pan continuous rotation
- +90°~-90° /s rotation speed
- Indoor/outdoor installation for all weather use
- IP68
- Bracket or Base Installation
- Multiple Protocol

V-ARMOR SERIES

SVEX-1301

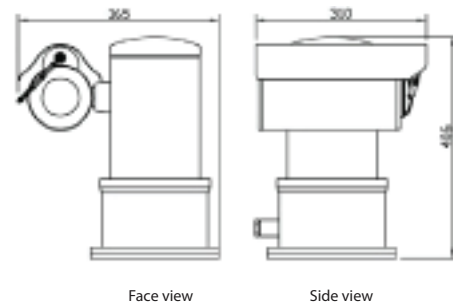
Explosion Proof PTZ



Specifications	SVEX-1301
CERTIFICATE	
Ex-Marking	Ex II 2 GD Ex d IIC T6 Gb, Ta
Certificate	Nemko 11ATEX1023
License	XK06-123-00251
Sensor	1/4" ExView HAD CCD
Effective Pixel	Resolution: 752(H) X 582(V)
Resolution	600 TV Lines (Day) / 700 TV Line (Night)
Min. Illumination	0.5Lux (Color) / 0.01Lux (Black)
White Balance	Auto/Manual/Auto track/Indoor/Outdoor
Gain Control	Auto/Manual
S/N ratio	> 50dB
Lens	18X Optic Zoom Lens Auto Focus / F1.4~3.0, f=4.1~73.8mm
View Angle	48° (Wide) / 2.8° (Tele)
Vide Output	Composite, 1.0Vp-p, 75Ω, BNC
ENVIROMENTAL	
Air pressure	80~110KPa
Temperature	-40°F ~ +140°F (-40°C ~ +60°C)
Humidity	≤95%RH [77°F (+25°C)]
ELECTRICAL	
Input Voltage	100~240VAC, 50/60Hz
Current	<1A
Power Supply	100w

Preset	128
Preset Accuracy	±0.3°
Auto-heat	Work at 14°F (-10°C)
Cable Connection	3-Core For Power 2-Core Non-Shielded For Control Coaxial Cable For Video Output
Communication	RS-485
Communication Rate	Multi, Could be set
Protocol	Multi, Could be set
MECHANICAL	
Material	Stainless steel 304 or 316L
Finish	Electro-polish
IP	IP68
Pan	360° continuous pan rotation
Tilt	-90° ~ +90°
Pan Speed	0.1°/S ~ 30°/S
Tilt Speed	0.1°/S ~ 30°/S
Weight	Weight: (30Kg) Ship Weight :(32Kg)
Mounting	Base mount or wall mount

Dimensions



Mounting Size

