





THE AMG5900 SERIES



Single Channel Fibre Optic CCTV Transmission Solutions

The AMG5900 Series is designed for low cost, point-to-point single channel transmission of video and associated multiple low speed data / audio / alarm channels together with up to 100Mbps Ethernet Connectivity.

| | | | | | |
|---|---|---|--|--|---|
|  Single-mode |  Video up to 4x |  Data 232/422/485 |  Contacts In/Out |  10/100 x1 |  Temp -40°C~+74°C |
|---|---|---|--|--|---|



[STANDALONE]



[RACKMOUNT]

/ OVERVIEW

The AMG5900 is designed for singlemode fibre and the AMG5800 is designed for multimode fibre.

The system provides high quality, low cost transmission of uncompressed video signals. The video is transmitted in full bandwidth digital format ensuring optimum transmission performance regardless of distance. As no compression of the video is used, there is no latency or compromise on quality.

The range has built in AGC (automatic gain control) with a wide dynamic range and 10-bit video digitisation to provide true 'plug & play' capability.

The products come in a variety of channel options in both standalone and rackmount formats to ensure maximum system versatility.

Available with 2 or 4 Low Speed Data Channels plus 4 or 8 Bi-directional Alarms.

Data expansion cards offer transmission of up to 4 additional data channels, 8 Bi-directional Alarm channels or 16 Uni-directional Alarm channels, and up to 16 bi-directional audio channels.

/ FEATURES

- Standalone and rackmount formats for minimum space usage
- Up to 100Mbps full bandwidth Ethernet
- 2 or 4 Low Speed Data Channels
- 4 or 8 Bi-directional Alarms
- Removable spring terminal data connectors
- 12-15V_{DC} supply voltage
- Plug in module for the AMG2000 Subrack range allowing use with other products in the AMG range
- Multiple data/audio options available via auxiliary data/audio channels
- Single Fibre Operation

Specifications.

Video.

| | |
|------------------------|--------------------|
| Compression | None, uncompressed |
| Input/output level | 1V p/p, +3dB |
| Input/output impedance | 75Ω unbalanced |
| Frequency Response | 10Hz to 7MHz |
| Differential Gain | 1% |
| Differential Phase | 1° |
| Signal to Noise Ratio | 67dB minimum |
| Video Connector | BNC |
| Video Standard | NTSC/PAL/SECAM |
| Video Sample Rate | 28MHz |

Ethernet.

| | |
|-----------|---------------------|
| Data rate | 100Mb/s Full Duplex |
|-----------|---------------------|

Data.

| | |
|-------------------|---------------------------|
| Data rate | Maximum 512kb/s |
| Interface options | RS485 / RS422 / RS232 |
| Data connector | Removable spring terminal |

Alarms.

| | |
|-------------|---------------------|
| Input level | 1kΩ pull-up to +3V3 |
| Output | |
| Interface | NPN, open collector |
| Current | 250mA |
| Voltage | +24V _{DC} |

Optical.

| | |
|------------------------|----------------------|
| Wavelength | 1310 / 1550 nm |
| Fibre | One Singlemode Fibre |
| Optical connector type | SC/PC |
| Path loss | 19dB |
| Path loss HP version | 34dB |

General.

| | |
|--------------------|-------------------------|
| Operating Temp. | -40°C to +74°C |
| Operating humidity | 0 to 95% non-condensing |
| Indicators | Front panel LEDs |
| EMC | CE approved |
| MTBF | >250,000 hrs |

Power requirements.

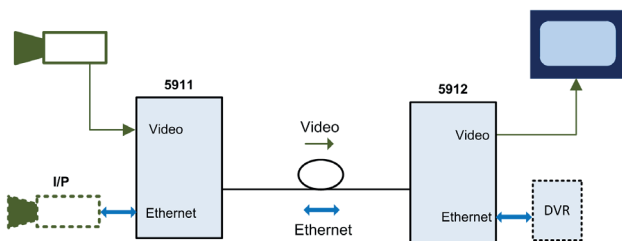
| | |
|---------------|----------------------|
| Input Voltage | 12-24V _{DC} |
| Consumption | 3W Max |

Mechanical.

| | |
|------------|-------------------|
| Weight | |
| Standalone | 500g |
| Rackmount | 550g |
| Dimensions | |
| Standalone | 110 × 172 × 35 mm |
| Rackmount | 3U x 7HP x 172 mm |

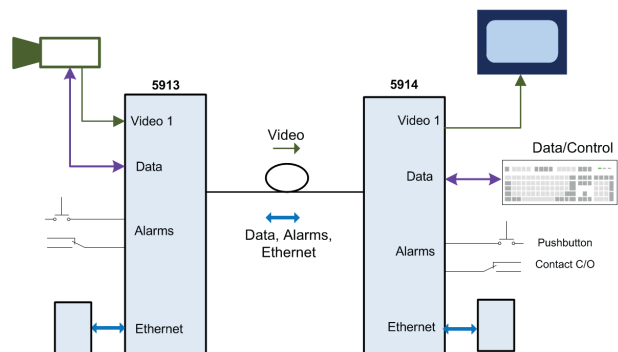
Example Topologies.

// Video + Future I/P Video



Analogue Video + future I/P video over Ethernet.

// PTZ Video + Ethernet + Alarms



PTZ Analogue video with control of camera over low speed RS485/422 data channel. Ethernet data channel. Alarms in and out.

Part Numbers.

TRANSMITTER Tx.

Standalone.

| | |
|---------|---|
| AMG5901 | Ethernet only Tx |
| AMG5903 | Ethernet + 2 Bi-directional Data + 8 Bi-directional alarms |
| AMG5911 | Video Tx + Ethernet |
| AMG5913 | Video Tx + Ethernet + 2 Bi-directional Data + 8 Bi-directional alarms |
| AMG5917 | Video Tx + Ethernet + 4 Bi-directional Data + 4 Bi-directional alarms |

Rackmount.

| | |
|----------|---|
| AMG5901R | Ethernet only Tx |
| AMG5903R | Ethernet + 2 Bi-directional Data + 8 Bi-directional alarms |
| AMG5911R | Video Tx + Ethernet |
| AMG5913R | Video Tx + Ethernet + 2 Bi-directional Data + 8 Bi-directional alarms |
| AMG5917R | Video Tx + Ethernet + 4 Bi-directional Data + 4 Bi-directional alarms |

RECEIVER Rx.

Standalone.

| | |
|---------|---|
| AMG5902 | Ethernet only Rx |
| AMG5904 | Ethernet + 2 Bi-directional Data + 8 Bi-directional alarms |
| AMG5912 | Video Rx + Ethernet |
| AMG5914 | Video Rx + Ethernet + 2 Bi-directional Data + 8 Bi-directional alarms |
| AMG5918 | Video Rx + Ethernet + 4 Bi-directional Data + 4 Bi-directional alarms |

Rackmount.

| | |
|----------|---|
| AMG5902R | Ethernet only Rx |
| AMG5904R | Ethernet + 2 Bi-directional Data + 8 Bi-directional alarms |
| AMG5912R | Video Rx + Ethernet |
| AMG5914R | Video Rx + Ethernet + 2 Bi-directional Data + 8 Bi-directional alarms |
| AMG5918R | Video Rx + Ethernet + 4 Bi-directional Data + 4 Bi-directional alarms |

Recommended PSUs.

| | | |
|------------|------------|---|
| Standalone | AMG2001 | 15Vdc @ 1A standalone PSU. For Indoor use only. |
| Rackmount | AMG2015 | 19" Subrack, 12 Slot c/w PSU |
| | AMG2015-DR | 19" Subrack, 12 Slot c/w dual PSU |

Proud to be a British
Manufacturer 